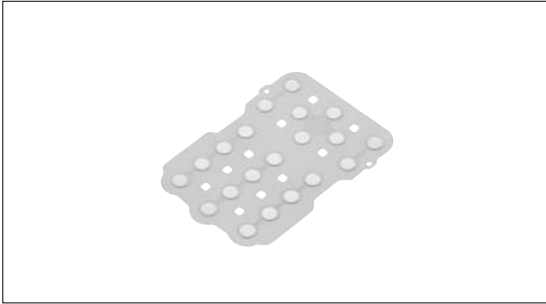


Highly reliable contact from 3-dimple dome metal contact and closed structure.

- Detector
- Push
- Slide
- Rotary
- Encoders
- Power
- Dual-in-line  
Package Type
- TACT Switch™



**Custom-Products**

**Product Line**

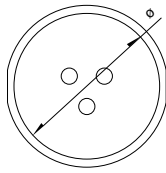
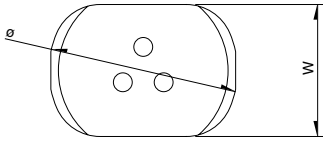
Specification	Varieties						
<b>SIZE</b>	$\phi 3$	$\phi 4$	$\phi 5$	$\phi 6$	$\phi 4 \times 2.8$ sidecut	$\phi 5 \times 3.5$ sidecut	$\phi 6 \times 4$ sidecut
<b>Operating Force</b>	1.6N	1.3N, 1.6N 2.0N	1.3N, 1.6N	1.6N, 3.0N	1.6N, 1.8N 2.0N	1.6N, 1.8N	1.0N
<b>Travel</b>	$0.12 \pm 0.1\text{mm}$	$0.15 \pm 0.1\text{mm}$	$0.20 \pm 0.1\text{mm}$	$0.26 \pm 0.1\text{mm}$	$0.20 \pm 0.1\text{mm}$	$0.25 \pm 0.1\text{mm}$	$0.24 \pm 0.1\text{mm}$
<b>Height</b>	$0.23 \pm 0.1\text{mm}$	$0.26 \pm 0.1\text{mm}$	$0.31 \pm 0.1\text{mm}$	$0.37 \pm 0.1\text{mm}$	$0.31 \pm 0.1\text{mm}$	$0.36 \pm 0.1\text{mm}$	$0.35 \pm 0.1\text{mm}$

\*Endurance specification :  
 Operating life 1,000,000 cycles  
 Operating temperature range - 20 to + 70  
 Storage temperature range - 40 to + 85

- Detector
- Push
- Slide
- Rotary
- Encoders
- Power
- Dual-in-line  
Package Type
- TACT Switch™
- Custom-Products**

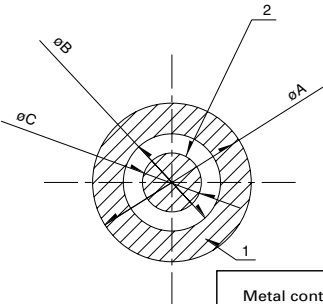
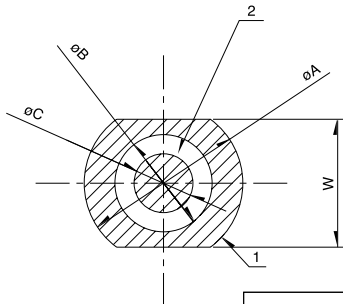
**Dimensions**

Unit:mm

Style														
<b>Metal contact</b>														
		<table border="1" style="margin: auto; border-collapse: collapse;"> <thead> <tr> <th></th> <th>ø</th> <th>W</th> </tr> </thead> <tbody> <tr> <td>ø4 Side cut</td> <td>4</td> <td>2.8</td> </tr> <tr> <td>ø5 Side cut</td> <td>5</td> <td>3.5</td> </tr> <tr> <td>ø6 Side cut</td> <td>6</td> <td>4</td> </tr> </tbody> </table>		ø	W	ø4 Side cut	4	2.8	ø5 Side cut	5	3.5	ø6 Side cut	6	4
	ø	W												
ø4 Side cut	4	2.8												
ø5 Side cut	5	3.5												
ø6 Side cut	6	4												

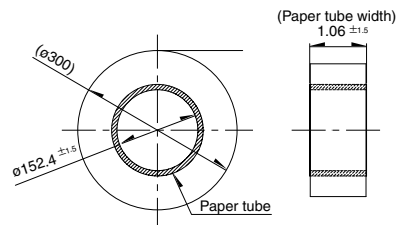
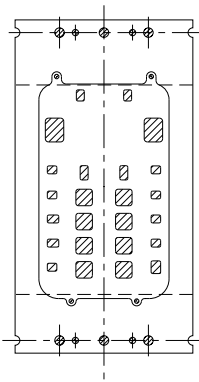
**Recommend Pattern**

Unit:mm

 <table border="1" style="margin: auto; border-collapse: collapse;"> <thead> <tr> <th rowspan="2">Metal contact size</th> <th colspan="3">Dimensions</th> </tr> <tr> <th>øA</th> <th>øB</th> <th>øC</th> </tr> </thead> <tbody> <tr> <td>ø3</td> <td>3.6</td> <td>2</td> <td>1.6</td> </tr> <tr> <td>ø4</td> <td>5.2</td> <td>2.8</td> <td>2.1</td> </tr> <tr> <td>ø5</td> <td>6.2</td> <td>3.8</td> <td>2.3</td> </tr> <tr> <td>ø6</td> <td>7.1</td> <td>4.8</td> <td>3.8</td> </tr> </tbody> </table>	Metal contact size	Dimensions			øA	øB	øC	ø3	3.6	2	1.6	ø4	5.2	2.8	2.1	ø5	6.2	3.8	2.3	ø6	7.1	4.8	3.8	 <table border="1" style="margin: auto; border-collapse: collapse;"> <thead> <tr> <th rowspan="2">Metal contact size</th> <th colspan="4">Dimensions</th> </tr> <tr> <th>øA</th> <th>øB</th> <th>øC</th> <th>W</th> </tr> </thead> <tbody> <tr> <td>ø4 Side cut</td> <td>5.2</td> <td>2.8</td> <td>2.1</td> <td>4.2</td> </tr> <tr> <td>ø5 Side cut</td> <td>6.2</td> <td>3.8</td> <td>2.3</td> <td>5</td> </tr> <tr> <td>ø6 Side cut</td> <td>7.1</td> <td>4.8</td> <td>3.8</td> <td>5.5</td> </tr> </tbody> </table>	Metal contact size	Dimensions				øA	øB	øC	W	ø4 Side cut	5.2	2.8	2.1	4.2	ø5 Side cut	6.2	3.8	2.3	5	ø6 Side cut	7.1	4.8	3.8	5.5
Metal contact size		Dimensions																																														
	øA	øB	øC																																													
ø3	3.6	2	1.6																																													
ø4	5.2	2.8	2.1																																													
ø5	6.2	3.8	2.3																																													
ø6	7.1	4.8	3.8																																													
Metal contact size	Dimensions																																															
	øA	øB	øC	W																																												
ø4 Side cut	5.2	2.8	2.1	4.2																																												
ø5 Side cut	6.2	3.8	2.3	5																																												
ø6 Side cut	7.1	4.8	3.8	5.5																																												

**Package Specification**

Unit:mm

Reel	Single pieces
	

**Note**

Above are specifications in general. This product is custom designed for each customer. Therefore specifications will be discussed independently.